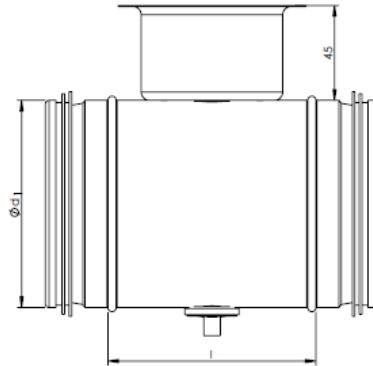


## Shut-off damper SK



### Description

Damper for regulating and shut-off, if sealing is not very important. The circular blade is manually adjustable 0–90°. Metal handle. Equipped with seal. Polyamide bushings (max +150°C).

### Dimensions

Type	Ød1 nom	l [mm]	m [kg]
SK80	80	100	0,37
SK100	100	100	0,44
SK120	120	100	0,49
SK125	125	100	0,51
SK150	150	100	0,58
SK160	160	100	0,61
SK180	180	100	0,67
SK200	200	100	0,73
SK250	250	100	0,96
SK300	300	100	1,2
SK315	315	100	1,2
SK355	355	100	2,2
SK400	400	100	2,5
SK450	450	100	2,9
SK500	500	140	3,7
SK560	560	140	4,2
SK630	630	140	4,9